

The pulse switch you have to order separately from supplier

Ventistål art no: 1460-903

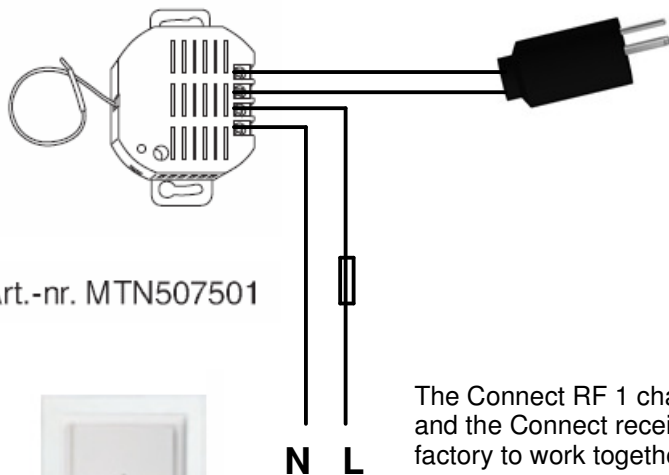
Ensy art no: 0100052-2

This contains: 1 pcs of CONNECT radio receiver, flushmounted, 1-gang switch (MTN 507501) and

1 pcs of CONNECT RF SWITCH BUTTOM 1 CHANAL WHITE (WDE002901)

Plug you find in the accessory box that follows the AHU-unit

Plug into the contact marked **D1** on the AHU-unit



Art.-nr. MTN507501

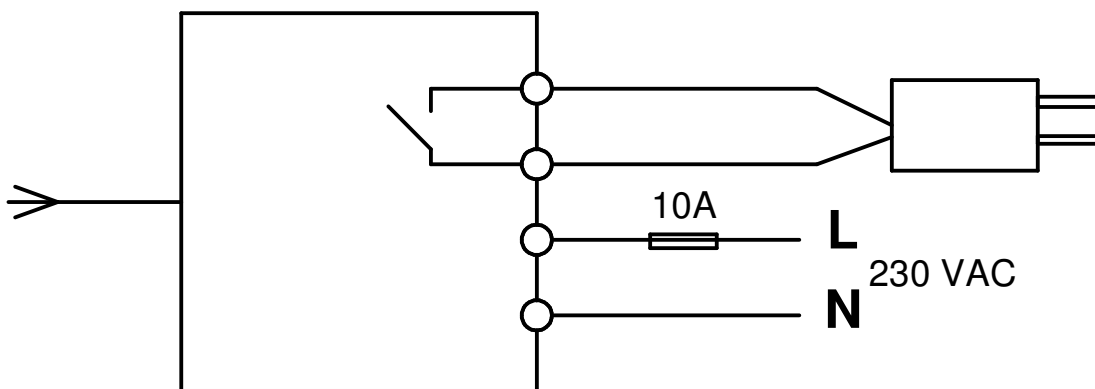



The Connect RF 1 chanal press buttom, and the Connect receiver are programmed from factory to work together with the AHU-unit.

Look in manual for the AHU-unit under menu 4.5.1.3 to adjust the airflow for the unit.

CONNECT RF trykknapp 1 kanal
Art.nr. WDE002901

The radio receiver is activated when you press the buttom and stop automatically after countdown for the set forsing time in menu 1.1.



		Material:	Art. no.:0100052-2
		Dim.:	Tolerance:
		PULSE SWITCH. 1 CHANNEL. WIRELESS	
Date	Name	Drawing number	
Drawn 02.09.2016	knkl		
Checked		Puls switch	
Scale	1:1 A4	Page 1 - 1	
Filename Puls switch.idw			