

- AT** = Operation temperature sensor
- EAT** = Extract air sensor
- UTE** = Fresh air sensor/ Defrost sensor
- AVK** = Rotor guard sensor

- RH%** = Humidity sensor

- MC** = Control box
- CP** = Control panel

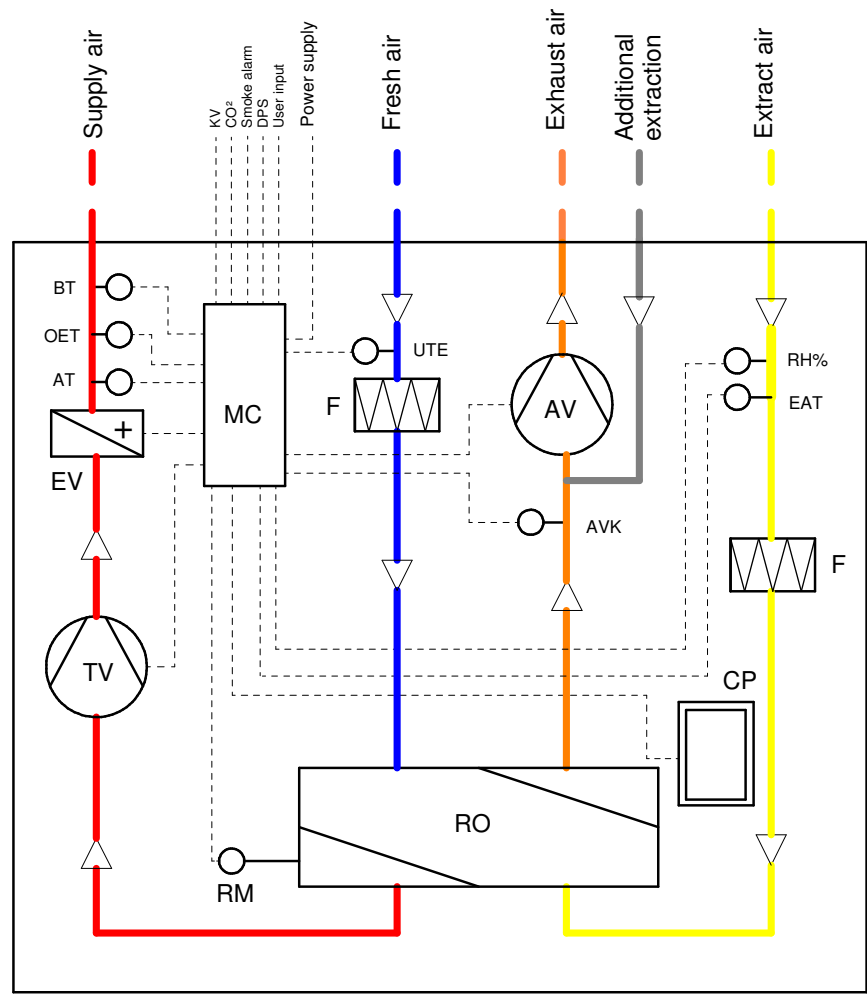
- TV** = Supply fan
- AV** = Extract fan


- EV** = Reheater battery
- BT** = Fire thermostat
- OET** = Overheat temperature sensor

- RM** = Rotor motor
- RO** = Rotary heat exchanger

- KV** = Cookerhood
- F** = Filter

- CO² Sensor** - Optional
- Smoke alarm** - Optional
- DPS (Drop Pressure Sensor)** - Optional
- User Input** - Optional



		Material:		Art. no.:0200321-2	
		Dim.:		Tolerance:	
Date		Name		Systemskjema Ensy	
Drawn 17.06.2020		A.Lucacean			
Checked				InoVent AHU-400 BV	
Scale		1:1		Drawing number	
Filename		Ensy InoVent AHU-400 BV.idw		Page 1 - 1	