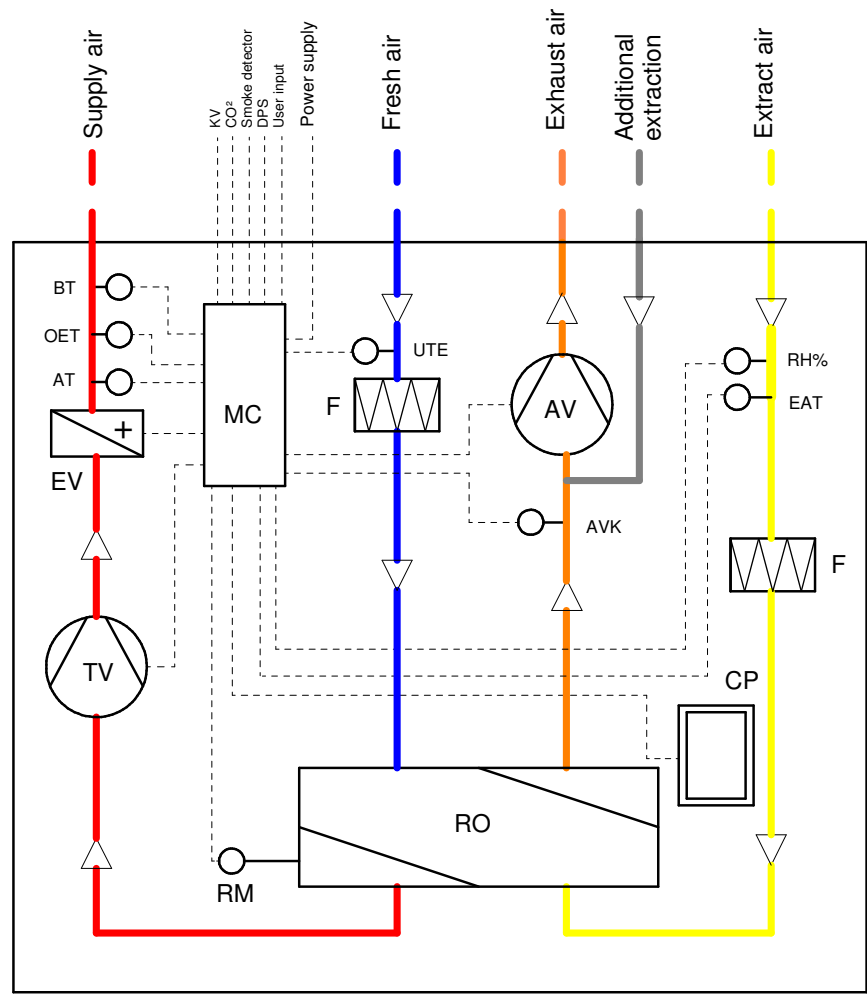



- AT** = Operation temperature sensor
- EAT** = Extract air sensor
- UTE** = Fresh air sensor/ Defrost sensor
- AVK** = Rotor guard sensor
  
- RH%** = Humidity sensor
  
- MC** = Control box
- CP** = Control panel
  
- TV** = Supply fan
- AV** = Extract fan
  
- EV** = Reheater battery
- BT** = Fire thermostat
- OET** = Overheat temperature sensor
  
- RM** = Rotor motor
- RO** = Rotary heat exchanger
  
- KV** = Cookerhood
- F** = Filter
  
- CO<sup>2</sup> Sensor** - Optional
- Smoke alarm** - Optional
- DPS (Drop Pressure Sensor)** - Optional
- User Input** - Optional



		Material:		Art. no.:0201801-2	
		Dim.:		Tolerance:	
Date		Name		Systemskjema Ensy	
Drawn	17.06.2020	A.Lucacean		InoVent AHU-350 BV	
Checked				Drawing number	
				InoVent AHU-350 BV	
Scale		1:1		Page	
Filename		Ensy InoVent AHU-350 BV.idw		1 · 1	