

- AT** = Operation temperature sensor
- EAT** = Extract air sensor
- UTE** = Fresh air sensor/ Defrost sensor
- AVK** = Rotor guard sensor

- RH%** = Humidity sensor

- MC** = Control box
- CP** = Control panel

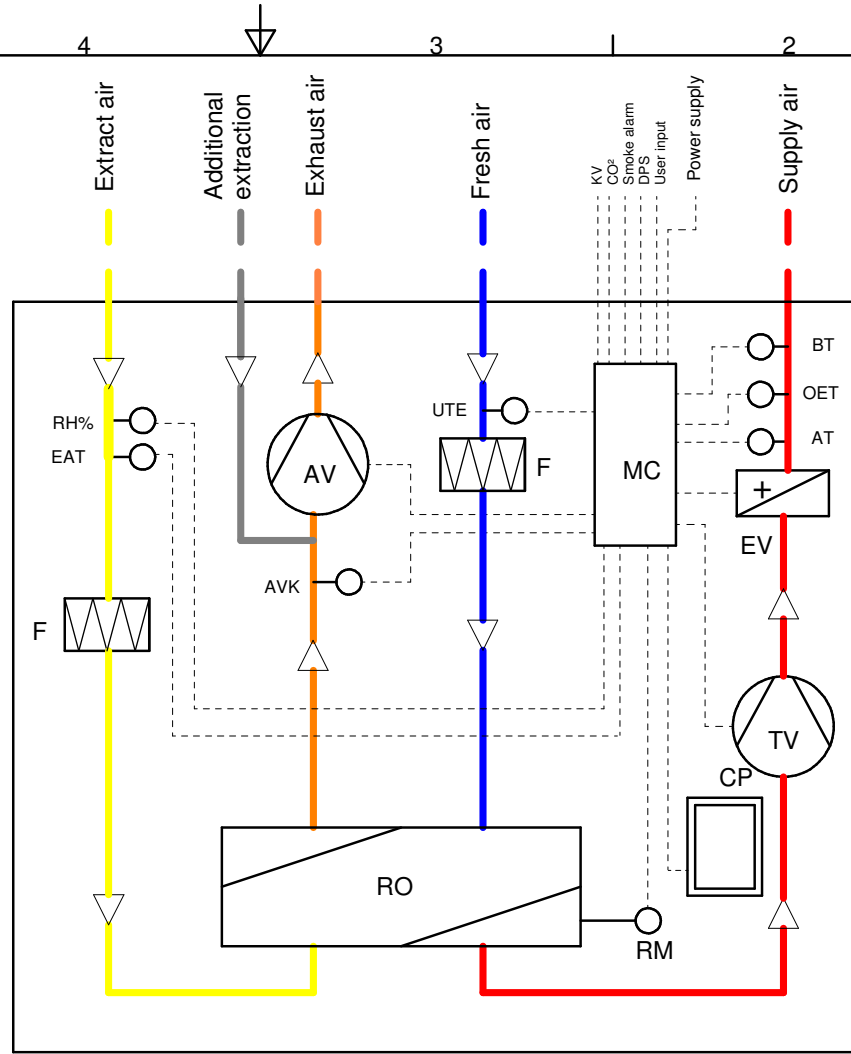
- TV** = Supply fan
- AV** = Extract fan


- EV** = Reheater battery
- BT** = Fire thermostat
- OET** = Overheat temperature sensor

- RM** = Rotor motor
- RO** = Rotary heat exchanger

- KV** = Cookerhood
- F** = Filter

- CO² Sensor** - Optional
- Smoke alarm** - Optional
- DPS (Drop Pressure Sensor)** - Optional
- User Input** - Optional



		Material: Art. no.:0201901-2	
		Dim.: Tolerance:	
Date		Name	
Drawn	17.06.2020	A.Lucacean	
Checked			
Scale		A3	
Filename		Ensy InoVent AHU-350 BH.dwg	
Drawing number			Page
InoVent AHU-350 BH			1 · 1