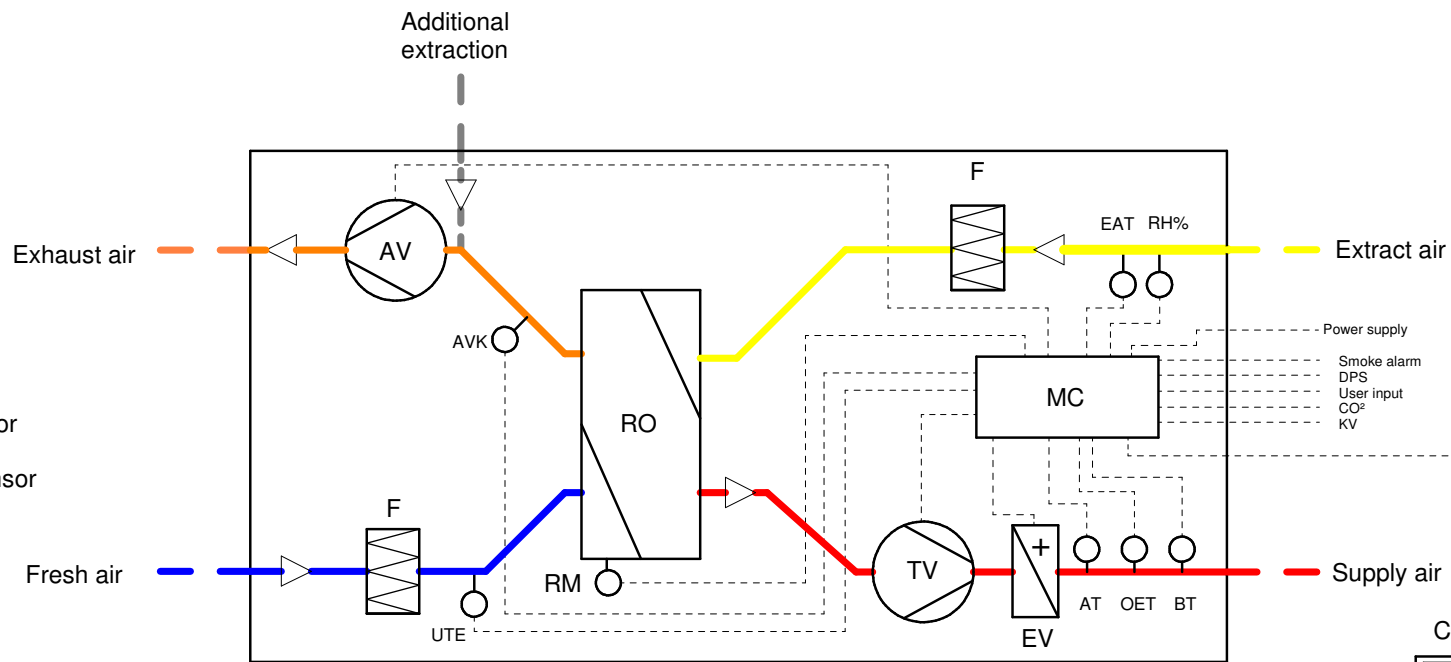



- AT** = Operation temperature sensor
- EAT** = Extract air sensor
- UTE** = Fresh air sensor/ Defrost sensor
- AVK** = Rotor guard sensor
- RH%** = Humidity sensor
- MC** = Control box
- CP** = Control panel
- TV** = Supply fan
- AV** = Extract fan
- EV** = Reheater battery
- BT** = Fire thermostat
- OET** = Overheat temperature sensor
- RM** = Rotor motor
- RO** = Rotary heat exchanger
- KV** = Cookerhood
- F** = Filter
- CO² Sensor** - Optional
- Smoke alarm** - Optional
- DPS (Drop Pressure Sensor)** - Optional
- User Input** - Optional



		Material:		Art. no.:0200801-2	
		Dim.:		Tolerance:	
		Systemskjema Ensy			
Date		Name			
Drawn	17.06.2020	A.Lucacean			
Checked					
Scale		1:1		A3	
Filename		Ensy InoVent AHU-300 HH.dwg			
		Drawing number			Page
		InoVent AHU-300 HH			1 / 1