

- AT** = Operation temperature sensor
- EAT** = Extract air sensor
- UTE** = Fresh air sensor/ Defrost sensor
- AVK** = Rotor guard sensor

- RH%** = Humidity sensor

- MC** = Control box
- CP** = Control panel

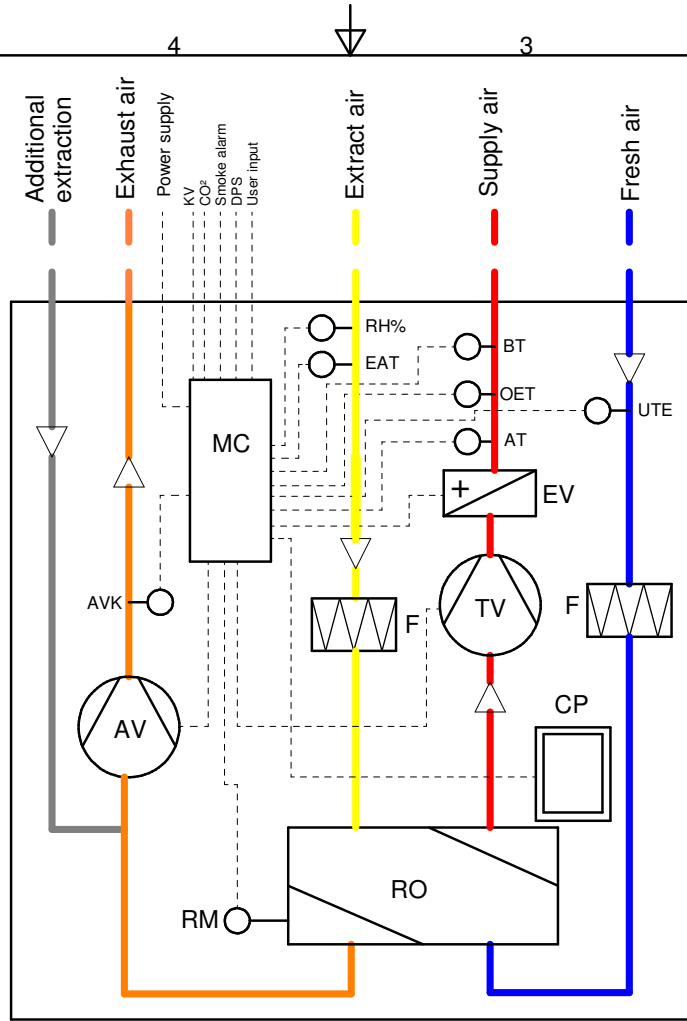
- TV** = Supply fan
- AV** = Extract fan


- EV** = Reheater battery
- BT** = Fire thermostat
- OET** = Overheat temperature sensor

- RM** = Rotor motor
- RO** = Rotary heat exchanger

- KV** = Cookerhood
- F** = Filter

- CO² Sensor** - Optional
- Smoke alarm** - Optional
- DPS (Drop Pressure Sensor)** - Optional
- User Input** - Optional



		Material:		Art. no.:02000002-2	
		Dim.:		Tolerance:	
Systemskjema Ensy					
InoVent AHU-200 H					
Drawing number					Page
Ensy InoVent AHU H					1 · 1
Date	Name				
Drawn	17.06.2020	A.Lucacean			
Checked					
Scale	1:1		A3		
Filename	Ensy InoVent AHU-200 H.dwg				