

- AT** = Operation temperature sensor
- EAT** = Extract air sensor
- UTE** = Fresh air sensor/ Defrost sensor
- AVK** = Rotor guard sensor

- RH%** = Humidity sensor

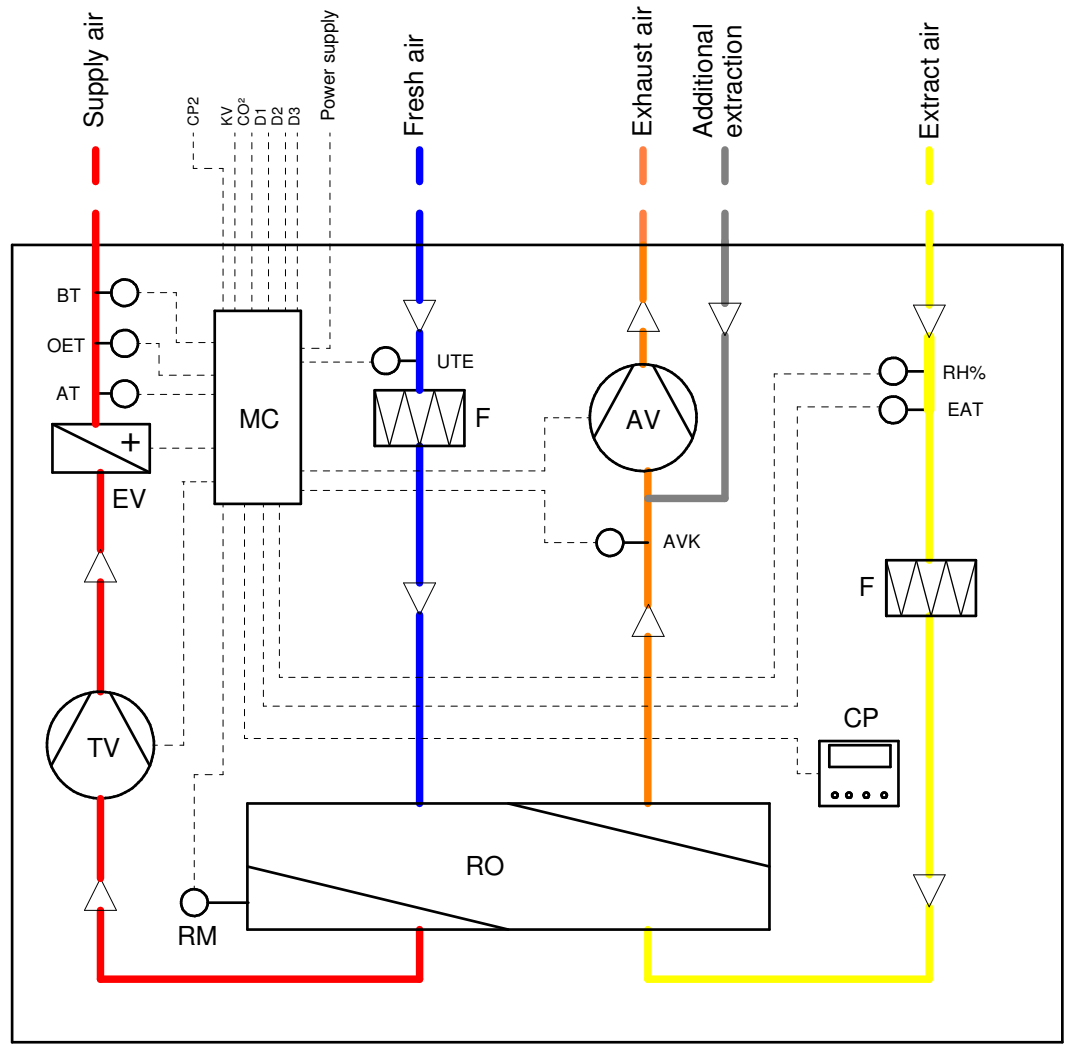
- MC** = Control box
- CP** = Control panel in front door
- CP2** = Extra Control panel (Option)


- TV** = Inlet fan
- AV** = Extract fan

- EV** = Reheater battery
- BT** = Fire thermostat
- OET** = Overheat temperature sensor

- RM** = Rotor motor
- RO** = Rotary heat exchanger

- KV** = Cookerhood
- CO²** = CO² Sensor (Option)
- D¹** = Impulse switch (Option)
- D²** = External humidity sensor (Option)
- D³** = Home / Leave (Option)
- F** = Filter



| | | | |
|---|-----------------------|---------------------|--------------------|
|  | | Material: | Art. no.:0100621-2 |
| | | Dim.: | Tolerance: |
| Systemskjema Ensy | | AHU-700 BV/1 | |
| Drawn | 19.12.2016 | knkl | |
| Checked | | | |
| Drawing number Ensy AHU-700 BV_1 | | Page | 1-1 |
| Scale | 1:1 | A3 | |
| Filename | Ensy AHU-700 BV_1.rdw | | |