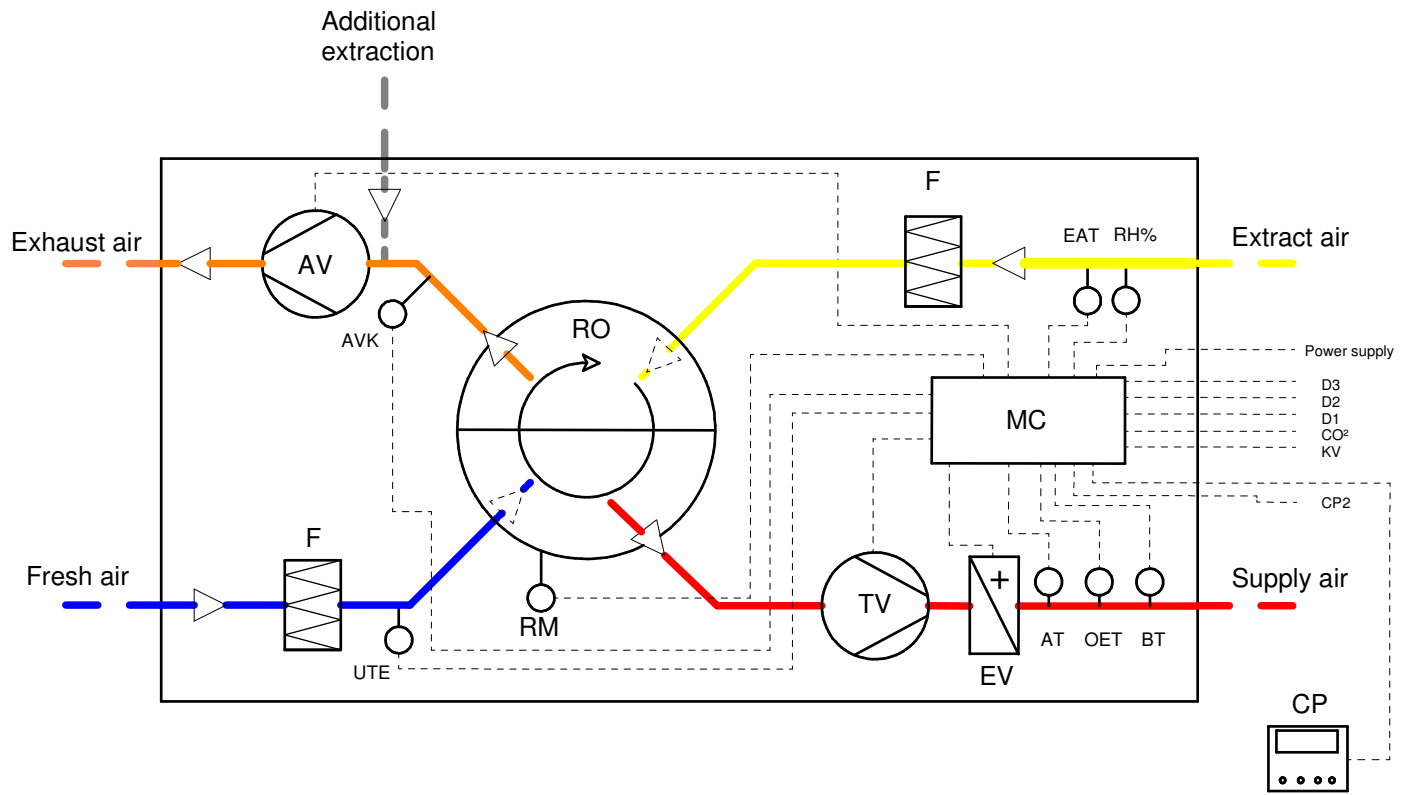



- AT** = Operation temperature sensor
- EAT** = Extract air sensor
- UTE** = Fresh air sensor/ Defrost sensor
- AVK** = Rotor guard sensor
  
- RH%** = Humidity sensor
  
- MC** = Control box
- CP** = Control panel.  
This comes with the unit but in a separate box with 10 meters signal cable.
- CP2** = Extra Control panel (Option)
  
- TV** = Inlet fan
- AV** = Extract fan
  
- EV** = Reheater battery
- BT** = Fire thermostat
- OET** = Overheat temperature sensor
  
- RM** = Rotor motor
- RO** = Rotary heat exchanger
  
- KV** = Cookerhood
- CO<sup>2</sup>** = CO<sup>2</sup> Sensor (Option)
- D<sup>1</sup>** = Impulse switch (Option)
- D<sup>2</sup>** = External humidity sensor (Option)
- D<sup>3</sup>** = Home / Leave (Option)
  
- F** = Filter



		Material:	Art. no.:0101601-2
		Dim.:	Tolerance:
<b>Systemskjema Ensy</b> <b>AHU-400 HH</b>		Drawing number <b>Ensy AHU-400 HH</b>	
Scale	1:1	A3	Page 1 - 1
Filename Ensy AHU-400 HH.idw			