

- AT** = Operation temperature sensor
- EAT** = Extract air sensor
- UTE** = Fresh air sensor/ Defrost sensor
- AVK** = Rotor guard sensor

- RH%** = Humidity sensor

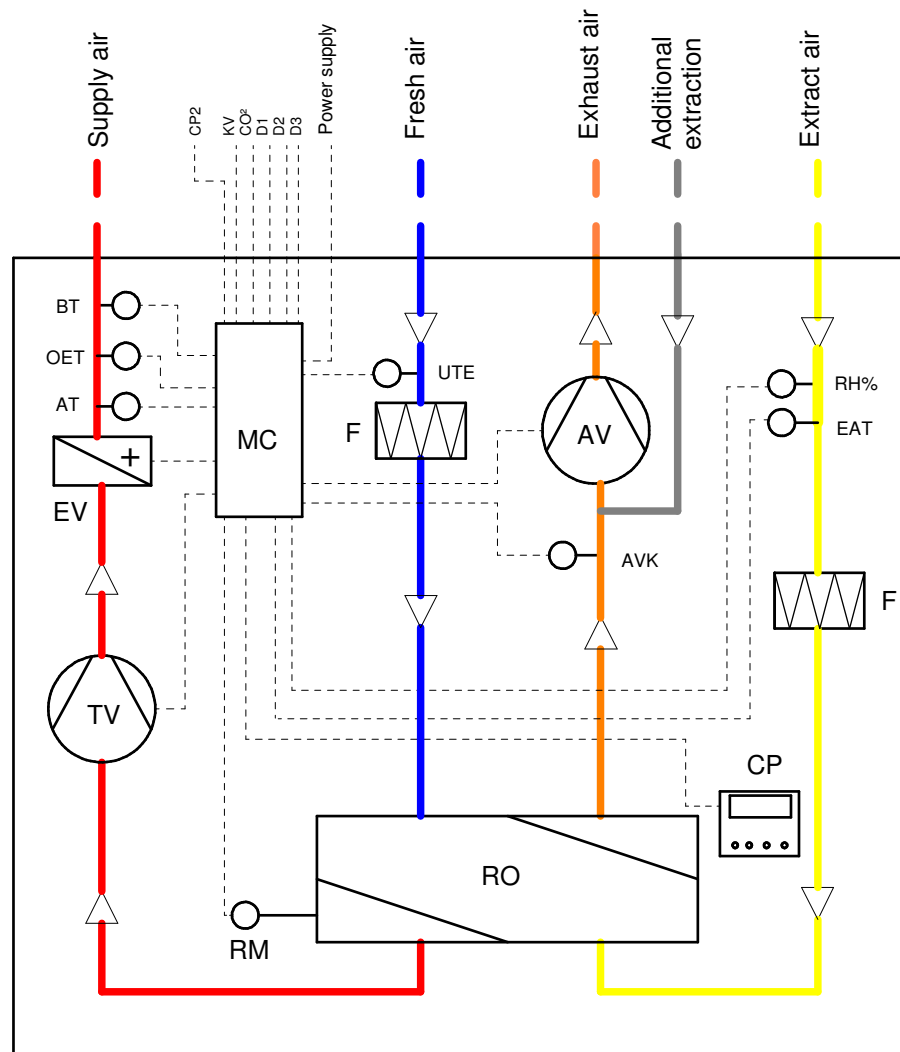
- MC** = Control box
- CP** = Control panel in front door
- CP2** = Extra Control panel (Option)


- TV** = Inlet fan
- AV** = Extract fan

- EV** = Reheater battery
- BT** = Fire thermostat
- OET** = Overheat temperature sensor

- RM** = Rotor motor
- RO** = Rotary heat exchanger

- KV** = Cookerhood
- CO²** = CO² Sensor (Option)
- D¹** = Impulse switch (Option)
- D²** = External humidity sensor (Option)
- D³** = Home / Leave (Option)
- F** = Filter



		Material:	Art. no.:0101801-2
		Dim.:	Tolerance:
Systemskjema Ensy		AHU-350 BV	
Drawn	Date	Name	
Checked	21.12.2016	knkl	
Ensy AHU-350 BV		Drawing number	Page
			1 - 1
Scale	1:1	A3	
Filename Ensy AHU-350 BV.idw			