

AT = Operation temperature sensor
EAT = Extract air sensor
UTE = Fresh air sensor/ Defrost sensor
AVK = Rotor guard sensor

RH% = Humidity sensor

MC = Control box
CP = Control panel in front door
CP2 = Extra Control panel (Option)

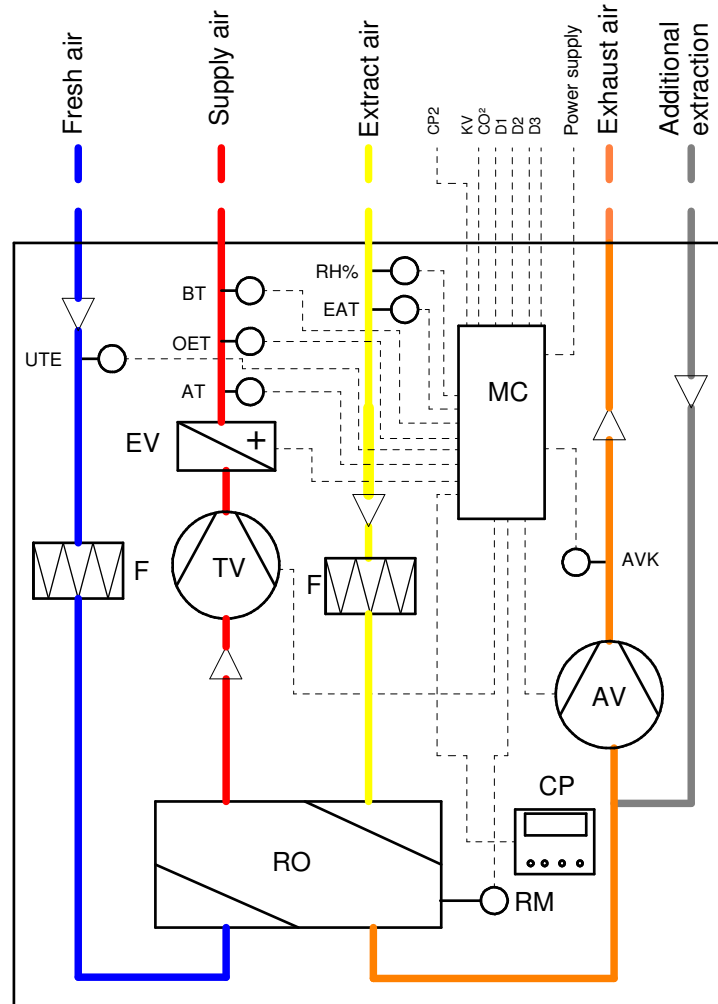
TV = Inlet fan
AV = Extract fan


EV = Reheater battery
BT = Fire thermostat
OET = Overheat temperature sensor

RM = Rotor motor
RO = Rotary heat exchanger

KV = Cookerhood
CO² = CO² Sensor (Option)
D¹ = Impulse switch (Option)
D² = External humidity sensor (Option)
D³ = Home / Leave (Option)

F = Filter



			Material: Art. no.:0100221-2	
			Dim.: Tolerance:	
Systemskjema Ensy			AHU-300 BV	
Drawn	19.12.2016	knkl		
Checked			Drawing number	
Ensy AHU-300 BV			Page 1 - 1	
Scale	1:1	A3	Filename Ensy AHU-300 BV.idw	