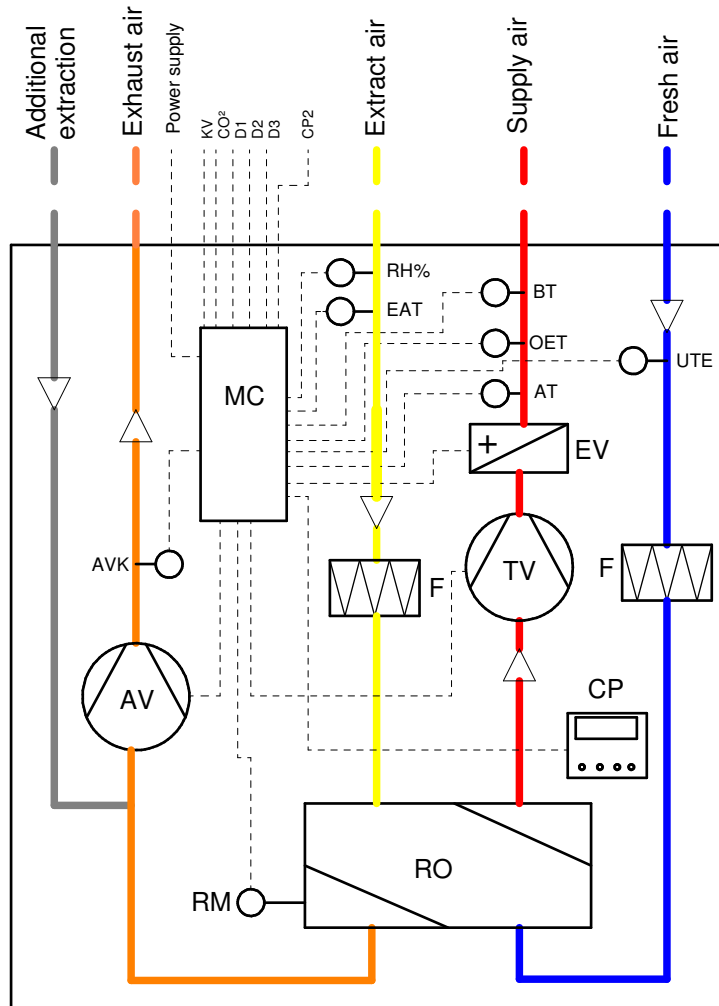



- AT** = Operation temperature sensor
- EAT** = Extract air sensor
- UTE** = Fresh air sensor/ Defrost sensor
- AVK** = Rotor guard sensor
  
- RH%** = Humidity sensor
  
- MC** = Control box
- CP** = Control panel in front door
- CP2** = Extra Control panel (Option)
  
- TV** = Inlet fan
- AV** = Extract fan
  
- EV** = Reheater battery
- BT** = Fire thermostat
- OET** = Overheat temperature sensor
  
- RM** = Rotor motor
- RO** = Rotary heat exchanger
  
- KV** = Cookerhood
- CO<sup>2</sup>** = CO<sup>2</sup> Sensor (Option)
- D<sup>1</sup>** = Impulse switch (Option)
- D<sup>2</sup>** = External humidity sensor (Option)
- D<sup>3</sup>** = Home / Leave (Option)
- F** = Filter



		Material:	Art. no.:0100421-2
		Dim.:	Tolerance:
		<b>Systemskjema Ensy</b>	
Drawn	19.12.2016	knkl	AHU-300 BH
Checked			
		Drawing number	
		<b>Ensy AHU-300 BH</b>	
Scale	1:1	A3	Page 1 - 1
Filename Ensy AHU-300 BH.idw			