

- AT** = Operation temperature sensor
- EAT** = Extract air sensor
- UTE** = Fresh air sensor/ Defrost sensor
- AVK** = Rotor guard sensor

- RH%** = Humidity sensor

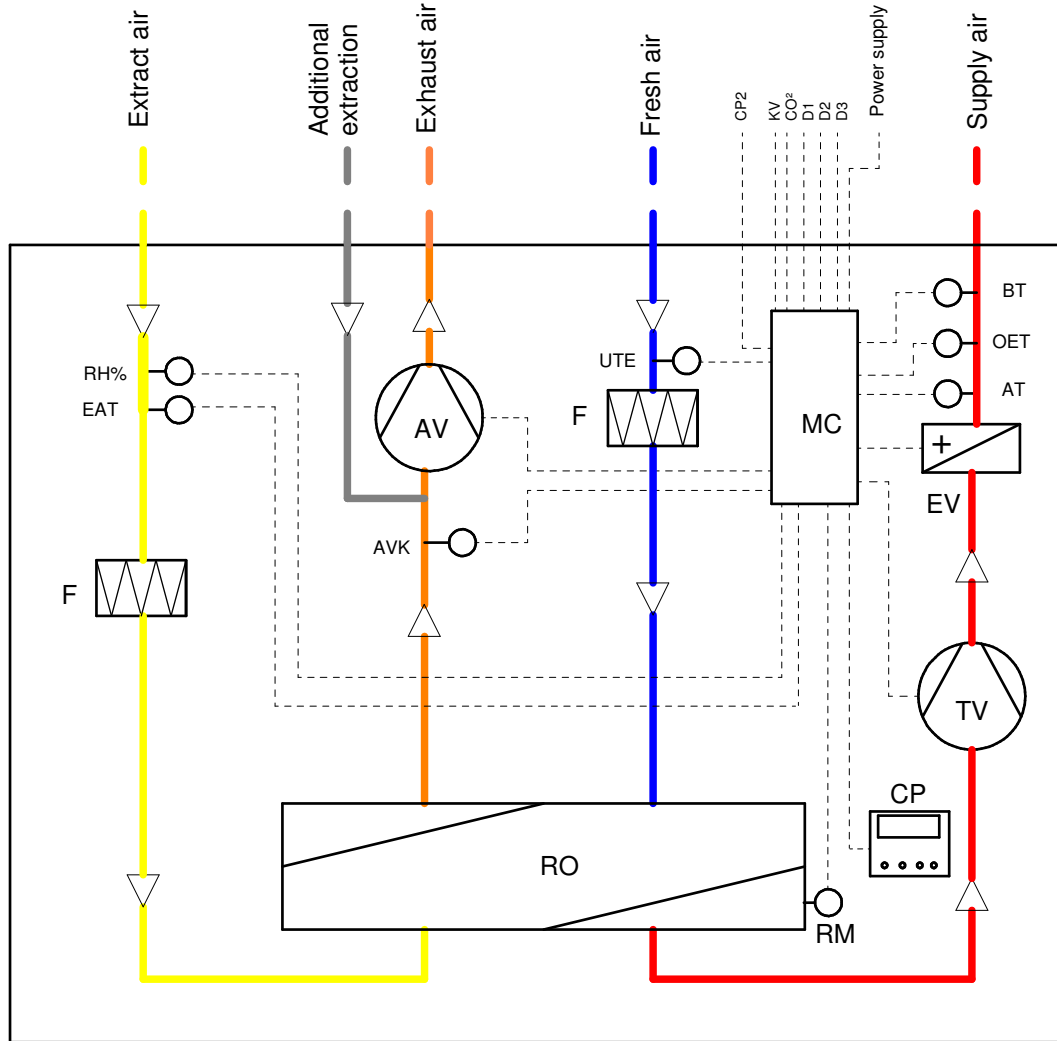
- MC** = Control box
- CP** = Control panel in front door
- CP2** = Extra Control panel (Option)


- TV** = Inlet fan
- AV** = Extract fan

- EV** = Reheater battery
- BT** = Fire thermostat
- OET** = Overheat temperature sensor

- RM** = Rotor motor
- RO** = Rotary heat exchanger

- KV** = Cookerhood
- CO²** = CO² Sensor (Option)
- D¹** = Impulse switch (Option)
- D²** = External humidity sensor (Option)
- D³** = Home / Leave (Option)
- F** = Filter



		Material:	Art. no.:0100721-2							
		Dim.:	Tolerance:							
Systemskjema Ensy		AHU-700 BH/1								
<table border="1"> <tr> <th>Date</th> <th>Name</th> </tr> <tr> <td>19.12.2016</td> <td>knkl</td> </tr> <tr> <td> </td> <td> </td> </tr> <tr> <td> </td> <td> </td> </tr> </table>	Date	Name	19.12.2016	knkl					Drawing number Ensy AHU-700 BH_1	
Date	Name									
19.12.2016	knkl									
Scale: 1:1 A3 Filename: Ensy AHU-700 BH_1.rdw	Page 1 - 1									